

WALL BOX TIME SWITCH 93 SERIES

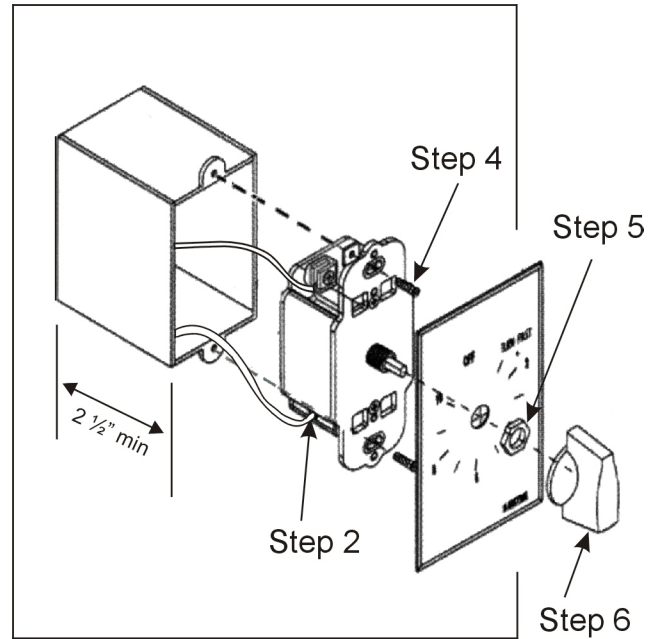
NOTE: INSTALLATION BY A LICENSED ELECTRICIAN IS RECOMMENDED. INSTALLATION AND USE OF THIS EQUIPMENT SHOULD BE IN ACCORDANCE WITH PROVISIONS OF THE U.S. NATIONAL ELECTRICAL CODE, APPLICABLE LOCAL CODES AND PERTINENT INDUSTRY STANDARDS.

These timers are not to be used in precision timing applications when inaccurate timing could have dangerous consequences such as with sun lamps or in tanning booths.

Installation procedure is essentially the same as a standard toggle switch.

For surface mount use Wiremold's Switch and Receptacle box No. 5744.

For outside installation, NEMA type 3R enclosure is recommended.



Metal Wall Plate Mounting

Installation Instructions

1. Turn power OFF at circuit breaker or fuse panel.
2. Attach wires to terminals with terminal screws provided, and screw down tightly.
3. Insert wired timer into a 2 1/2" (min) deep wall box with "TOP" (indicated on front cover) in proper position.
4. Fasten cover to outlet box using two screws provided.
5. Place calibrated wall plate on unit and fasten with hex nut provided.
6. Push knob onto timer shaft. If knob is not centered on "0", either the plate or the timer can be rotated slightly. Restore power.

Operating Instructions

- Turn knob *clockwise* to desired time period. Timer will automatically turn current OFF at end of period.
- Some timers are equipped with a HOLD feature which will hold the current ON without operation of the timing mechanism: timing will not begin until knob is turned to a time period. To engage HOLD feature, turn knob *counter clockwise* until knob pointer points to HOLD.

SPECIAL NOTE

"ON" type contacts (N.C. contacts), will automatically turn the current ON at the end of the preset time period. Contacts will be OPEN during the timing period. "OFF" type contacts (N.O. contacts) will operate in the opposite manner.

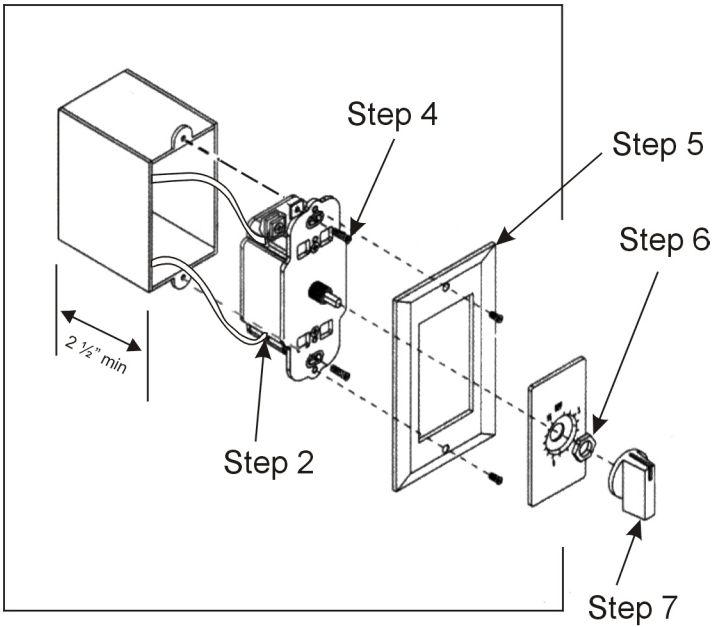
Warranty

ONE YEAR LIMITED WARRANTY

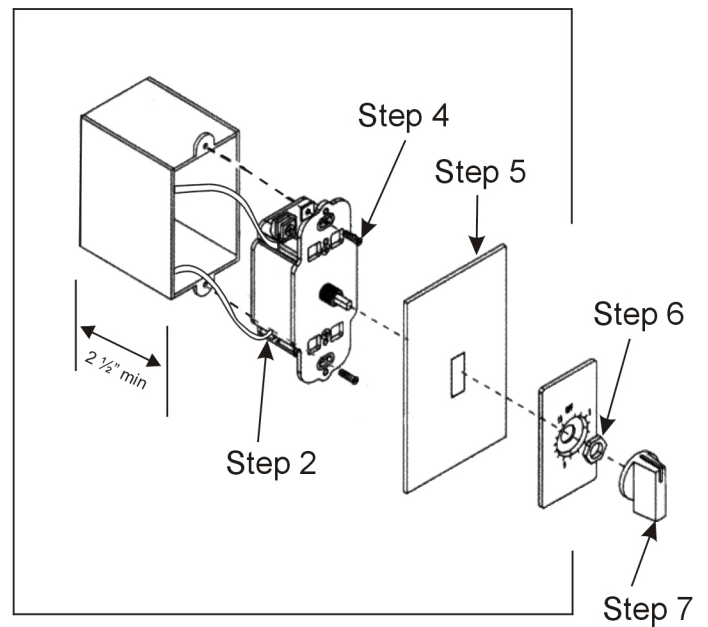
If this MARKTIME® product fails because of a manufacturing defect within one year after purchase, we will, at our option, either repair or replace it at no charge. Our warranty does not cover damage caused by accident, abuse or misuse. We assume no further liability with respect to the sale or use of this product.

This warranty is in lieu of all other warranties, expressed or implied, including the warranty of merchantability. We make no warranty with respect to the fitness of any goods for the user's particular application. This warranty gives you specific legal rights, and you may also have other rights which vary from state to state.

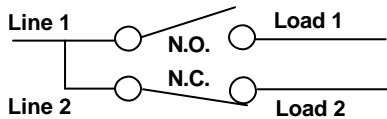
WALL BOX TIME SWITCH 93 SERIES



Decorator Wall Plate and Dial Mounting



Toggle Switch Plate and Dial Mounting



To set up timer for S.P.D.T. operation, install a jumper wire from the Line 1 terminal to the Line 2 terminal as shown in diagram.

INSTALLATION INSTRUCTIONS

1. Turn power OFF at circuit breaker or fuse panel.
2. Attach wires to terminals with terminal screws provided, and screw down tightly.
3. Insert wired timer into a 2 1/2" (min) deep wall box with "TOP" (indicated on front cover) in proper position.
4. Fasten to wall box using two screws provided.
5. Fasten the wall plate to the timer using the two (2) screws supplied with the plate. The screws must be self-tapped into the timer body and will require a gentle inward pressure while firmly turning the screw.
6. Position small plastic timer dial so that "OFF" is in the up position. Install the hex nut and tighten.
7. Push knob onto timer shaft, handle facing down. Restore power.

1. Turn power OFF at circuit breaker or fuse panel.
2. Attach wires to terminals with terminal screws provided, and screw down tightly.
3. Insert wired timer into a 2 1/2" (min) deep wall box with "TOP" (indicated on front cover) in proper position.
4. Fasten to wall box using two screws provided.
5. Position switch plate onto timer shaft.
6. Position small plastic dial so that "OFF" is in the up position. Install hex nut and tighten.
7. Push knob onto timer shaft, handle facing down. Restore power.